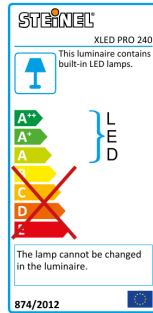


XLED PRO 240

V2 warm white white
EAN 4007841 068073



LED

30 years (Ø 4,5h / day)



3000K warm-white



infrared sensor 240°



max. 12 m



IP44



2 - 2000 lux



10 sec - 15 min



networkable via cable



energy saving



manufacturer's warranty
steinel-professional.de/garantie

Function description

Day-bright illumination throughout: the XLED PRO 240 sensor-switched outdoor floodlight. With fully swivelling LED flat panel and opal diffuser. 2120 lm, 3000 K, 20 W. With a 240° infrared sensor for reliable motion detection over a reach of up to 12 m. Includes corner wall mount.

Technical specifications

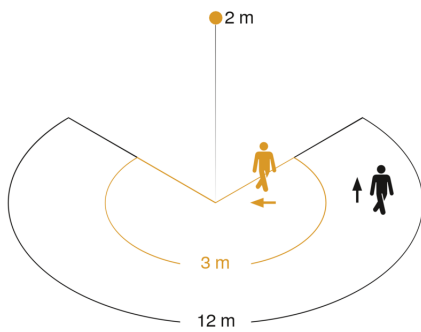
Dimensions (L x W x H)	161 x 180 x 221 mm
Mains power supply	220 – 240 V / 50 – 60 Hz
Mounting height max.	6,00 m
Sensor Technology	passive infrared
Output	20 W
Interconnection	Yes
Switching output 1, resistive	1000 W
Luminous flux	2120 lm
Colour temperature	3000 K
Colour variation LED	SDCM3
Colour Rendering Index CRI	80-89
With lamp	Yes, STEINEL LED system
Lamp	LED cannot be replaced
LED life expectancy (max. °C)	60000 h
Drop in luminous flux in accordance with LM80	L70B10
LED cooling system	HCMC (High Conductive Magnesium Composite)
With motion detector	Yes
Detection angle	240 °
Angle of aperture	180 °
Sneak-by guard	Yes

Capability of masking out individual segments	Yes
Reach, radial	r = 3 m (19 m ²)
Reach, tangential	r = 12 m (302 m ²)
Photo-cell controller	Yes
Twilight setting	2 – 2000 lx
Time setting	10 s – 15 Min.
Basic light level function	No
Soft light start	No
Continuous light	selectable
Impact resistance	IK03
IP-rating	IP44
Protection class	II
Ambient temperature	-20 – 40 °C
Housing material	HCMC
Cover material	Plastic, opal
Manufacturer's Warranty	5 years
Includes corner wall mount	Yes
PU1, net weight	0,64 kg
Version	warm white white
PU1, EAN	4007841068073

XLED PRO 240

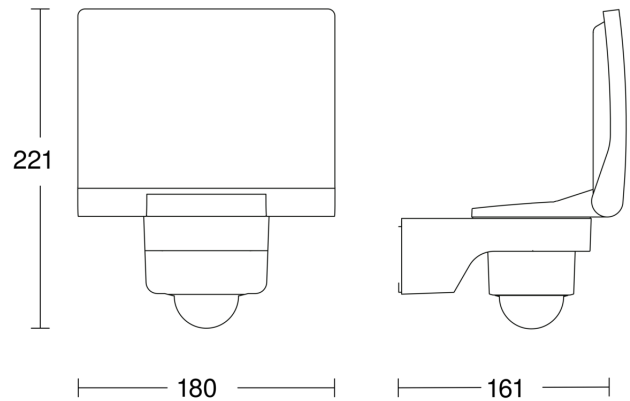
V2 warm white white
EAN 4007841 068073

Detection Zone

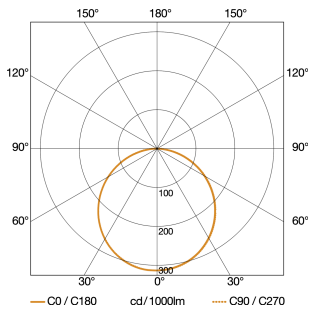


Mögliche Montagehöhe: 1,80 m – 6,00 m
Orange: radial
Schwarz: tangential

Dimension Drawing

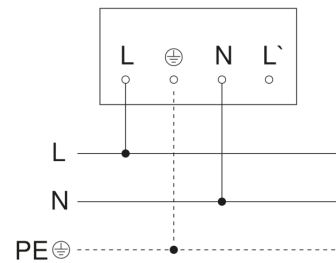


Light Distribution Curve



Output	20 W
With lamp	Yes, STEINEL LED system
Lamp	LED cannot be replaced
Luminous flux	2120 lm
Colour temperature	3000 K
Colour Rendering Index CRI	80-89
LED life expectancy (max. °C)	60000 h
LED cooling system	HCMC (High Conductive Magnesium Composite)

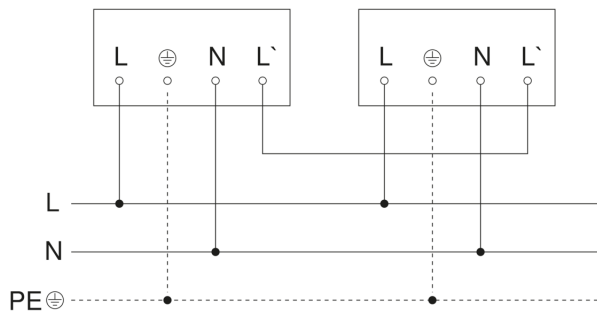
Master circuit diagram



XLED PRO 240

V2 warm white white
EAN 4007841 068073

Master/master interconnection circuit diagram



Master/slave interconnection circuit diagram

